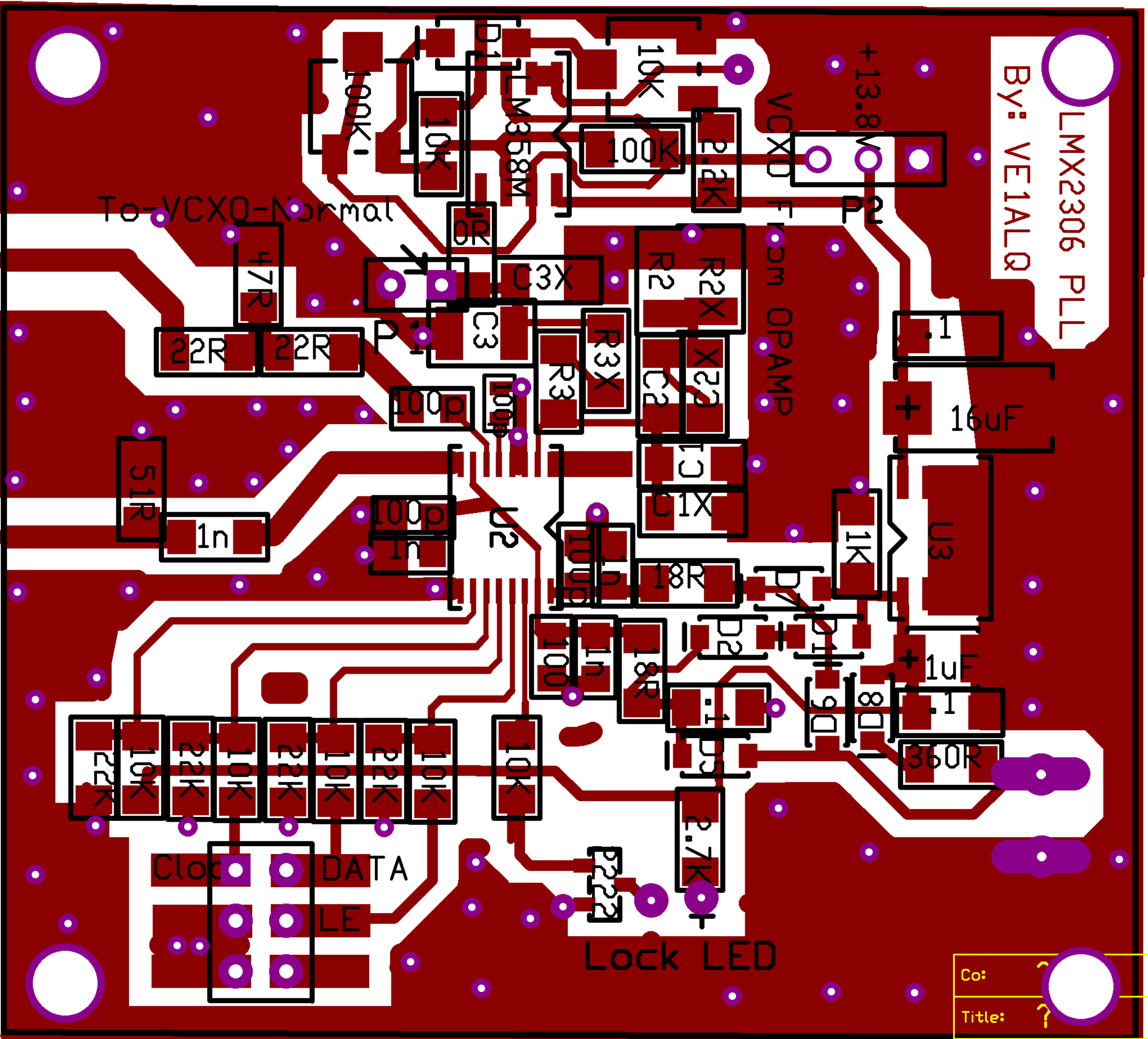


Drill tape data			
Tool Code	Hole Size	Sym bol	Hole Count

Board type: FR4
 Board thickness: .062"
 Copper weight: 2oz
 Layer count: 2

All dimensions are in inches.

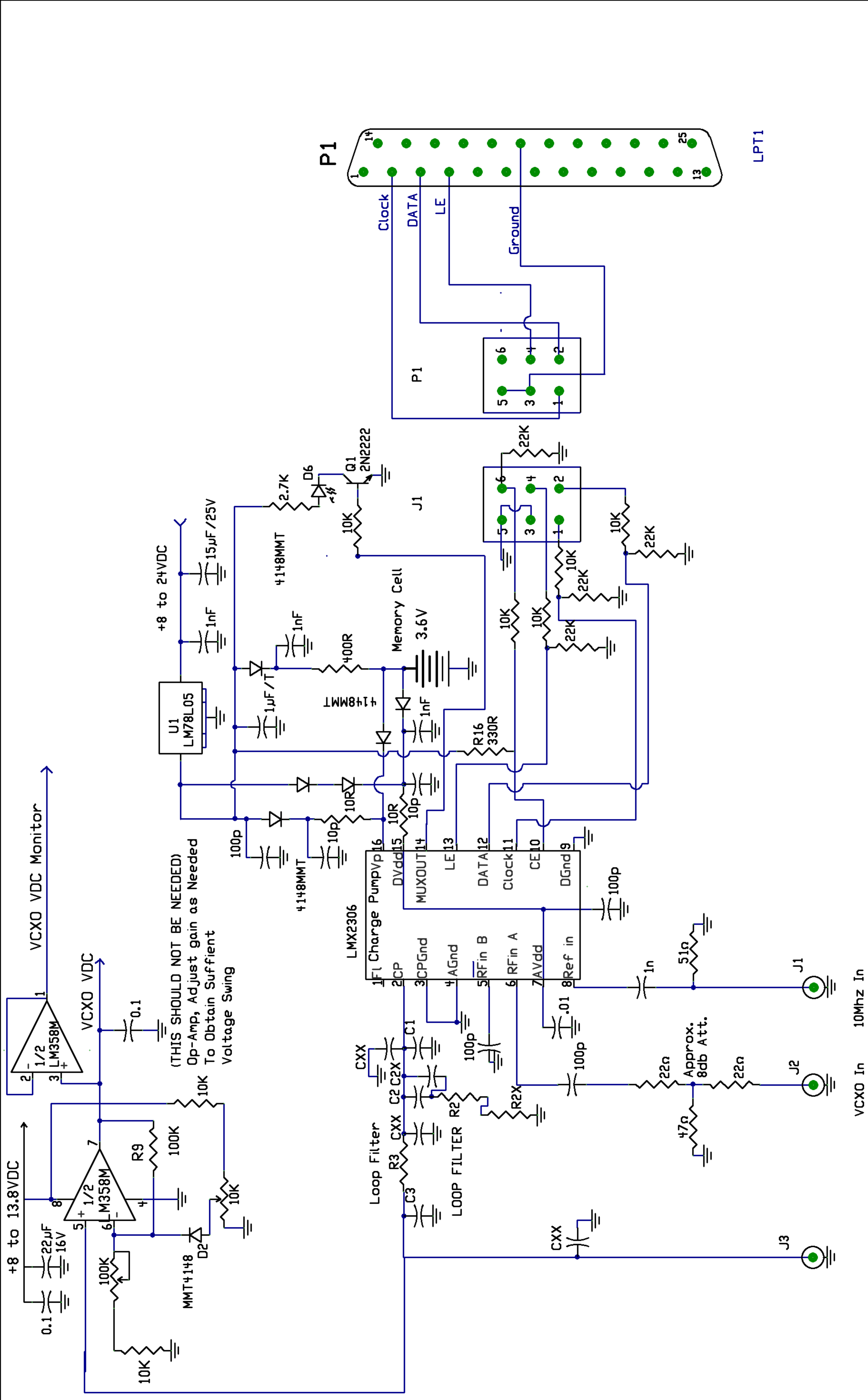
Board should have green solder mask over bare copper (SMOBC) with white silk screening on top.



VCXO Freq. IN Ref Freq. In

Co:	?
Title:	?
Board:	?
Drawn:	?
Date:	?

Revision:	A
Size:	A
Sheet	1 of 1



Co:	?
Title:	LMX2306 PLL
Board:	?
Author:	VE1ALQ
Date:	Dec 2004
Revision:	A
Size:	A
Sheet	1 of 2

