

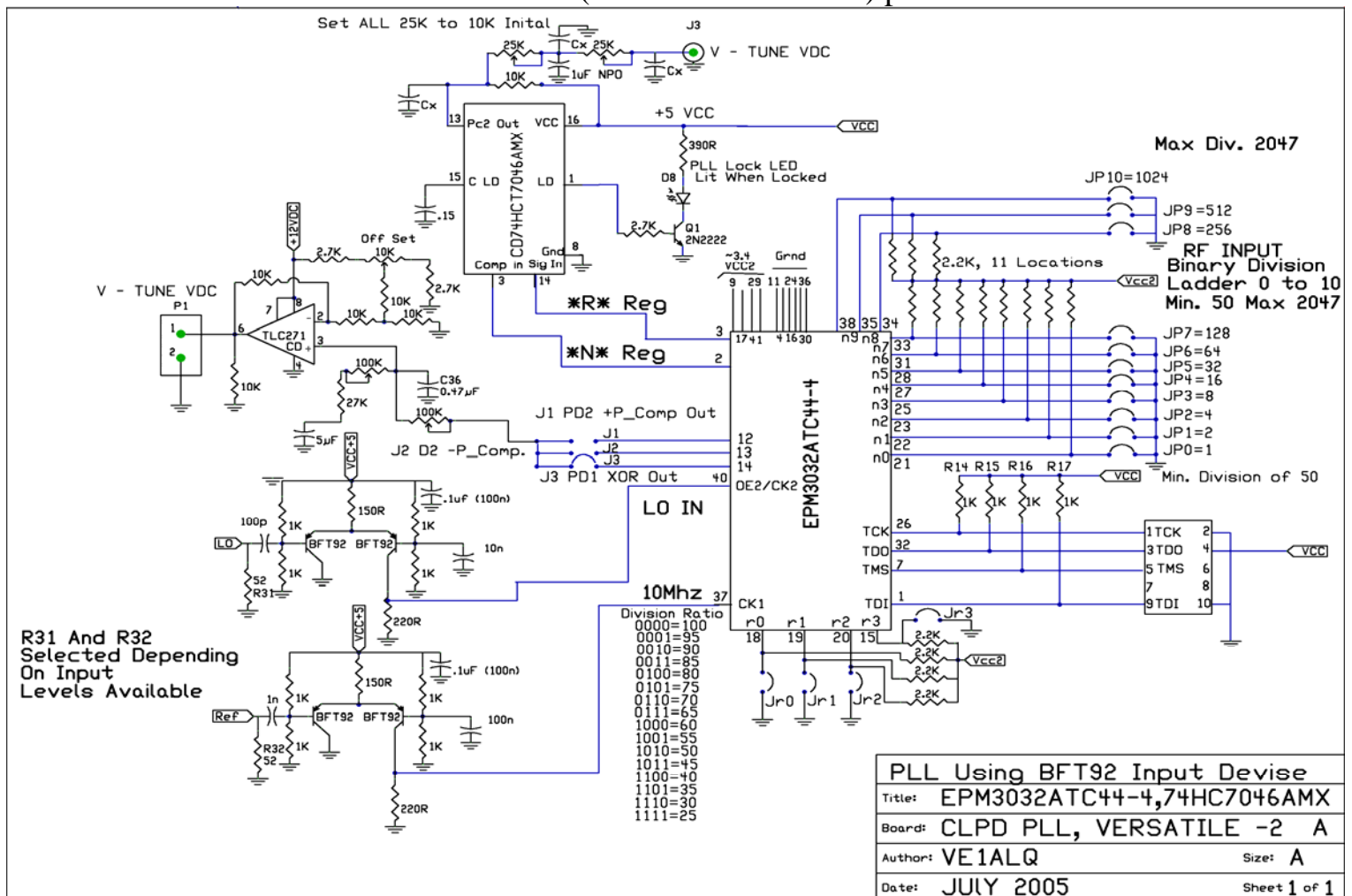
CPLD Versatile -2 PLL Synthesizer

To Modify your existing CPLD PLL Board it is only necessary if:

- 1/ You need the new Code for what ever the reason.
- 2/ Simply Take Pin 15 to either Ground, or +3.4VDC depending on the State needed.
- 3/ Also Take Pin 38 to either Ground, or +3.4VDC depending on State needed.
- 4/ If taken to +3.4VDC it must be through a 2.2K resistor as all other Binary Selected Lines.

See Images of New Versatile Version -2 below.....

New Boards will be produced as soon as possible, for those who need them, and to replace existing CPLD PLL Versatile Boards. If you should want the New Board let me know ASAP (As Soon As Possible) please.



Binary Selected LO Divisional Ratios 50 to 2047

Binary Selected Ref. Divisional Ratios 100, 95, 90, 85, 80, 75, 70, 65, 60, 55, 50, 45, 40, 35, 30 & 25.