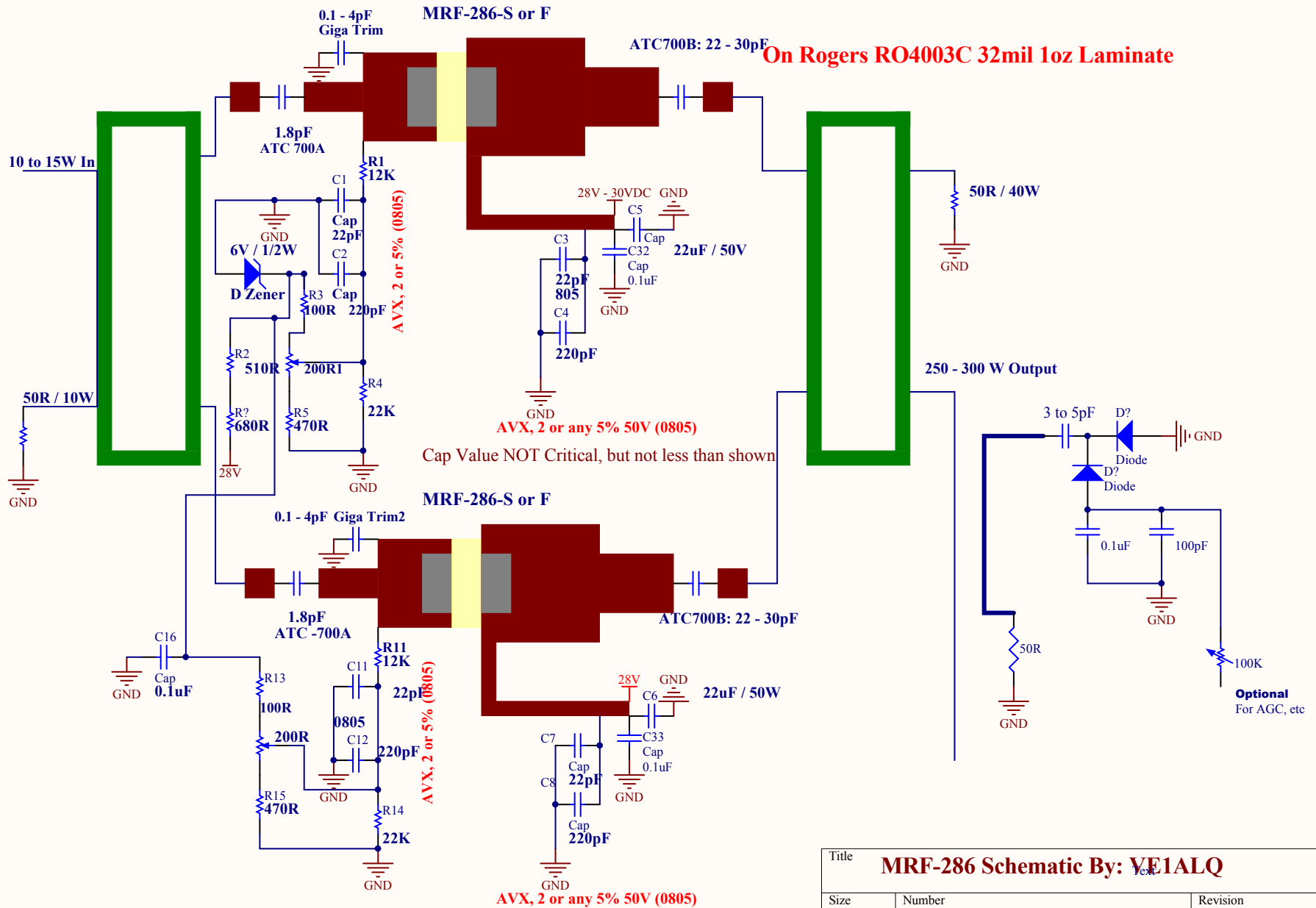


1.8pF ATC May be replaced with 1 - 4pF Mutrate Trimmer for Phase Balance within the Circuit



Title			<b>MRF-286 Schematic By: VE1ALQ</b>		
Size	Number	Revision			
A					
Date:	3/30/2011	Sheet of			
File:	D:\Program Files\...MRF-286-Schematic.Sch	Drawn By:			